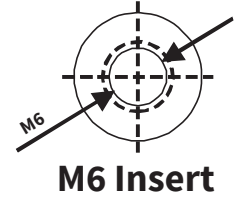
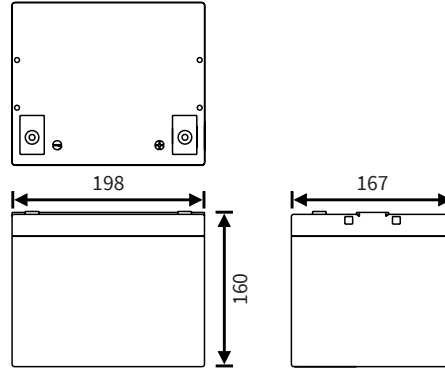


## CPL 45-12I

Long life AGM battery (10-12 year design life)

### Dimensions (mm)

### Standard terminal



No image available at this time

### Typical applications

- UPS systems
- Data centers
- Telecom systems
- Security systems
- Emergency lighting
- Air traffic power stations
- Medical equipment
- Solar energy

### Features

- Valve Regulated Lead Acid (VRLA)
- Maintenance free
- Absorbent Glassmat Technology (AGM)
- Built to comply with DIN 43534, IEC8962, BS6290-pt.4
- Low self discharge
- Classified as non-spillable under IATA, ADR and IMDG regulations
- Can be discharged or stored in any position without leakage
- Battery cannot be charged while upside down
- Produced under ISO 9001 & ISO 14001

|                                  |                                |
|----------------------------------|--------------------------------|
| Nominal voltage                  | 12 V                           |
| Nominal capacity (1.70V/c, 25°C) | 20Hr: 48.6 Ah                  |
|                                  | 10Hr: 46.8 Ah                  |
| Nominal power (1.65V/c, 25°C)    | 10Min: 215.0 W/cell            |
| Internal resistance              | ≤5.20mΩ (fully charged)        |
| Maximum charge current           | 11.0 A                         |
| Maximum discharge current        | 350 A (max. 5 sec)             |
| Float use / cyclic use           | 13.6V - 13.8V / 14.1V - 14.4V  |
| Self discharge                   | Lower than 3% per month        |
| Operating temperature range      | -20°C ~ 50°C                   |
| Designlife (20°C)                | 10-12 years in float (Eurobat) |
| Standard terminal                | Insert M6 (7 Nm Torque)        |
| Housing material                 | ABS (UL94-HB)                  |
| Dimensions Length                | 198 mm                         |
| Dimensions Width                 | 167 mm                         |
| Dimensions Height                | 160 mm                         |
| Approximate Weight               | 13.80 kg                       |
| Packing                          | 1 pcs / box                    |

### Constant Current Discharge (Amps) at 25 °C (77°F)

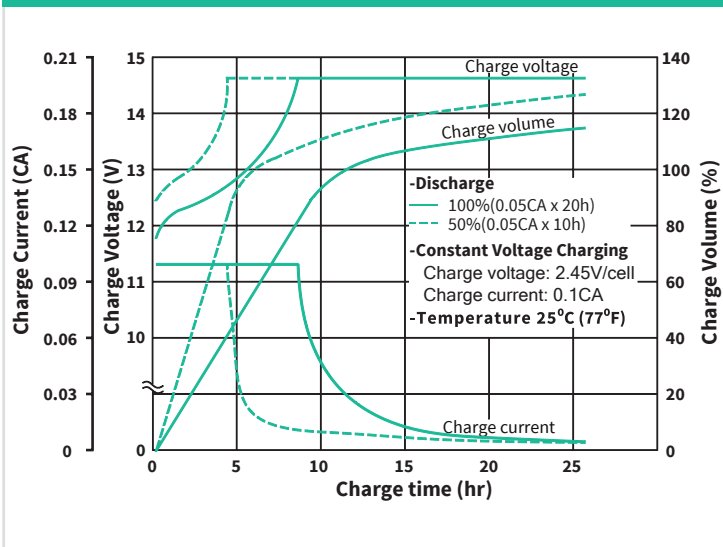
| F.V/TIME   | 5 Min | 10 Min | 15 Min | 20 Min | 25 Min | 30 Min | 35 Min | 40 Min | 45 Min | 60 Min | 90 Min | 2 Hr | 3 Hr | 4 Hr | 5 Hr | 6 Hr | 7 Hr | 8 Hr | 10 Hr | 12 Hr | 20 Hr |
|------------|-------|--------|--------|--------|--------|--------|--------|--------|--------|--------|--------|------|------|------|------|------|------|------|-------|-------|-------|
| 1.85V/cell | 162   | 104    | 78.4   | 63.9   | 53.9   | 46.6   | 41.2   | 37.1   | 33.7   | 26.8   | 19.4   | 15.3 | 11.1 | 8.81 | 7.33 | 6.29 | 5.53 | 4.91 | 4.03  | 3.40  | 2.09  |
| 1.80V/cell | 173   | 111    | 83.7   | 68.2   | 57.6   | 49.8   | 44.1   | 39.6   | 36.0   | 28.6   | 20.7   | 16.4 | 11.8 | 9.41 | 7.83 | 6.72 | 5.90 | 5.25 | 4.30  | 3.63  | 2.23  |
| 1.75V/cell | 184   | 118    | 89.1   | 72.6   | 61.3   | 53.0   | 46.9   | 42.1   | 38.3   | 30.4   | 22.0   | 17.4 | 12.6 | 10.0 | 8.33 | 7.15 | 6.28 | 5.58 | 4.58  | 3.86  | 2.38  |
| 1.70V/cell | 188   | 121    | 91.0   | 74.2   | 62.6   | 54.2   | 47.9   | 43.0   | 39.1   | 31.1   | 22.5   | 17.8 | 12.9 | 10.2 | 8.52 | 7.31 | 6.42 | 5.70 | 4.68  | 3.95  | 2.43  |
| 1.67V/cell | 190   | 122    | 91.8   | 74.8   | 63.2   | 54.6   | 48.3   | 43.4   | 39.5   | 31.3   | 22.7   | 18.0 | 13.0 | 10.3 | •    | •    | •    | •    | •     | •     | •     |
| 1.65V/cell | 191   | 122    | 92.2   | 75.1   | 63.4   | 54.8   | 48.5   | 43.6   | 39.6   | 31.5   | 22.8   | 18.0 | 13.0 | 10.4 | •    | •    | •    | •    | •     | •     | •     |
| 1.60V/cell | 193   | 123    | 93.1   | 75.8   | 64.0   | 55.4   | 49.0   | 44.0   | 40.0   | 31.8   | 23.0   | 18.2 | 13.1 | 10.5 | •    | •    | •    | •    | •     | •     | •     |

### Constant Power Discharge (Watts) per Cell\* at 25 °C (77°F)

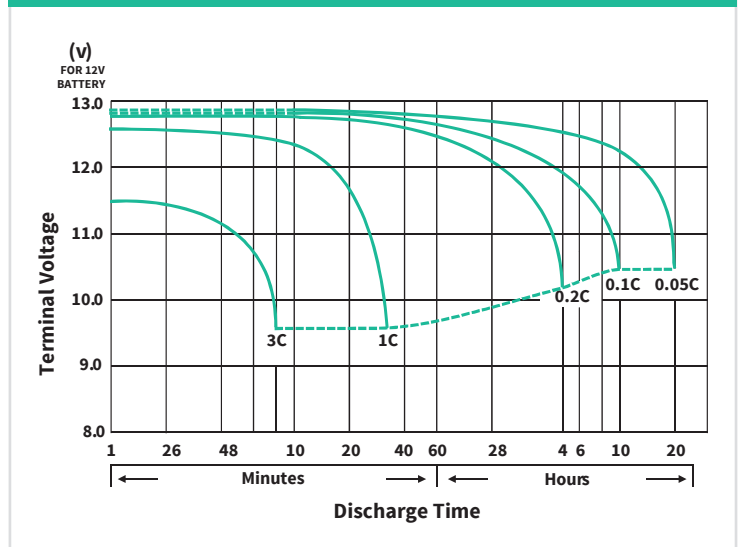
| F.V/TIME   | 5 Min | 10 Min | 15 Min | 20 Min | 25 Min | 30 Min | 35 Min | 40 Min | 45 Min | 60 Min | 90 Min | 2 Hr | 3 Hr | 4 Hr | 5 Hr | 6 Hr | 7 Hr | 8 Hr | 10 Hr | 12 Hr | 20 Hr |
|------------|-------|--------|--------|--------|--------|--------|--------|--------|--------|--------|--------|------|------|------|------|------|------|------|-------|-------|-------|
| 1.85V/cell | 309   | 183    | 138    | 115    | 100    | 90.2   | 81.7   | 74.7   | 68.7   | 54.8   | 39.5   | 31.3 | 22.4 | 17.7 | 14.7 | 12.6 | 11.0 | 9.8  | 8.10  | 6.85  | 4.24  |
| 1.80V/cell | 330   | 195    | 148    | 123    | 107    | 96.4   | 87.3   | 79.8   | 73.4   | 58.5   | 42.2   | 33.5 | 24.0 | 18.9 | 15.7 | 13.5 | 11.8 | 10.5 | 8.65  | 7.32  | 4.53  |
| 1.75V/cell | 351   | 208    | 157    | 131    | 114    | 103    | 92.8   | 84.9   | 78.1   | 62.3   | 44.9   | 35.6 | 25.5 | 20.1 | 16.7 | 14.4 | 12.5 | 11.2 | 9.2   | 7.79  | 4.82  |
| 1.70V/cell | 359   | 212    | 160    | 134    | 117    | 105    | 94.9   | 86.7   | 79.8   | 63.6   | 45.9   | 36.4 | 26.1 | 20.6 | 17.1 | 14.7 | 12.8 | 11.4 | 9.4   | 7.96  | 4.93  |
| 1.67V/cell | 362   | 214    | 162    | 135    | 118    | 106    | 95.7   | 87.5   | 80.5   | 64.2   | 46.3   | 36.7 | 26.3 | 20.8 | •    | •    | •    | •    | •     | •     | •     |
| 1.65V/cell | 364   | 215    | 163    | 136    | 118    | 106    | 96.1   | 87.9   | 80.8   | 64.5   | 46.5   | 36.8 | 26.4 | 20.8 | •    | •    | •    | •    | •     | •     | •     |
| 1.60V/cell | 367   | 217    | 164    | 137    | 119    | 107    | 97.0   | 88.7   | 81.6   | 65.1   | 46.9   | 37.2 | 26.7 | 21.0 | •    | •    | •    | •    | •     | •     | •     |

\*: Battery consists of 6 cells

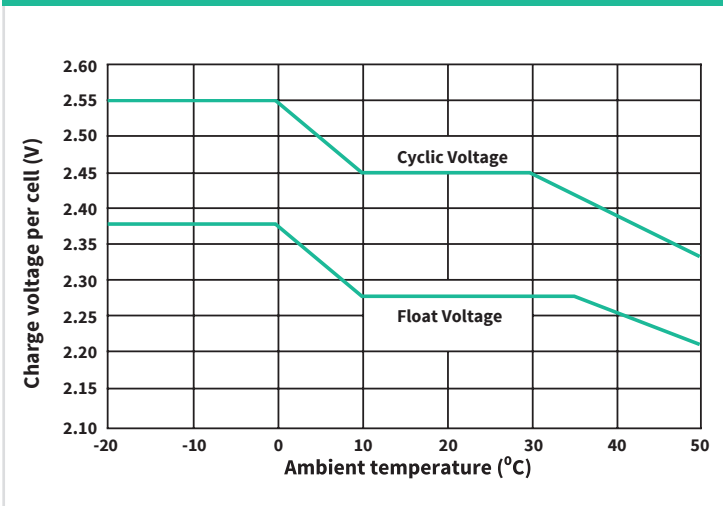
## Charge characteristics



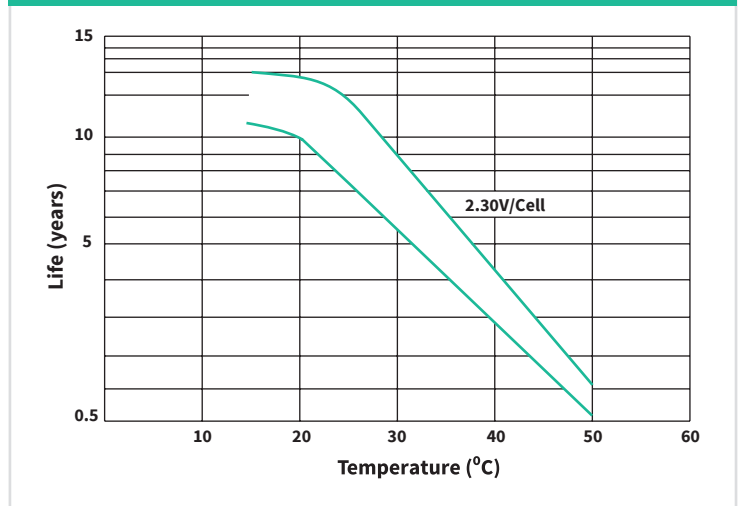
## Discharge characteristics



## Charge voltage in relation to temperature



## Service life in relation to temperature



## Models available

| Model       | Voltage | Capacity (Ah) | Dimensions (mm) | Weight (kg) |
|-------------|---------|---------------|-----------------|-------------|
| CPL 9-12L   | 12      | 9             | 151x65x102      | 2.70        |
| CPL 12-12   | 12      | 12            | 151x98x101      | 3.70        |
| CPL 18-12   | 12      | 18            | 181x76x167      | 5.45        |
| CPL 28-12I  | 12      | 28            | 168x178x124     | 8.40        |
| CPL 28-12IA | 12      | 28            | 164x124x175     | 9.00        |
| CPL 33-12   | 12      | 33            | 195x130x160     | 10.70       |
| CPL 45-12I  | 12      | 45            | 198x167x160     | 13.80       |
| CPL 55-12I  | 12      | 55            | 229x138x213     | 17.30       |
| CPL 65-12IJ | 12      | 65            | 350x167x179     | 23.40       |
| CPL 80-12   | 12      | 80            | 260x170x207     | 24.20       |
| CPL 100-12  | 12      | 100           | 307x168x214     | 29.50       |
| CPL 135-12  | 12      | 135           | 342x172x285     | 41.40       |
| CPL 150-12  | 12      | 150           | 485x172x240     | 47.00       |
| CPL 250-12  | 12      | 250           | 521x269x220     | 78.00       |

## Cellpower family

Cellpower supplies a broad range of reliable AGM, GEL and Lithium batteries. Each product series has its own unique characteristics, so that there is a suitable battery for every application with its associated specific usage profile. Combined with the right Cellpower battery accessories, you are able to assemble a high-quality and reliable battery system.

The sealed, maintenance-free AGM lead battery type has a long operational lifetime. When used correctly, the Absorbed Glass Mat (AGM) technology offers dependable, lasting service. Additionally, AGM batteries exhibit very little self-discharge when compared with other lead-acid batteries. Sealed lead-acid batteries require low maintenance and do not need to be refilled with water or other liquids.

